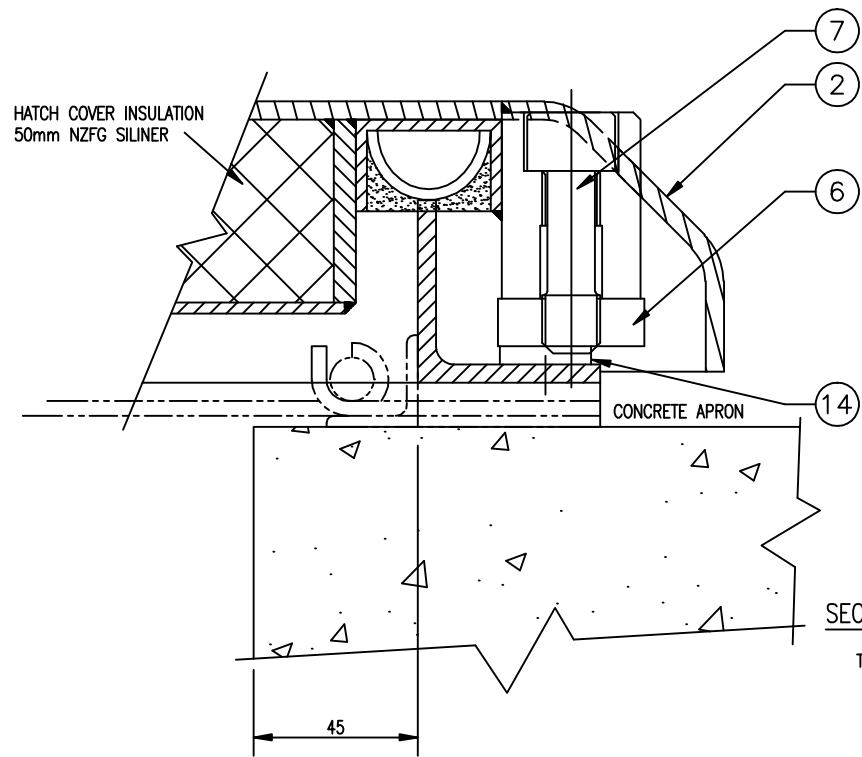
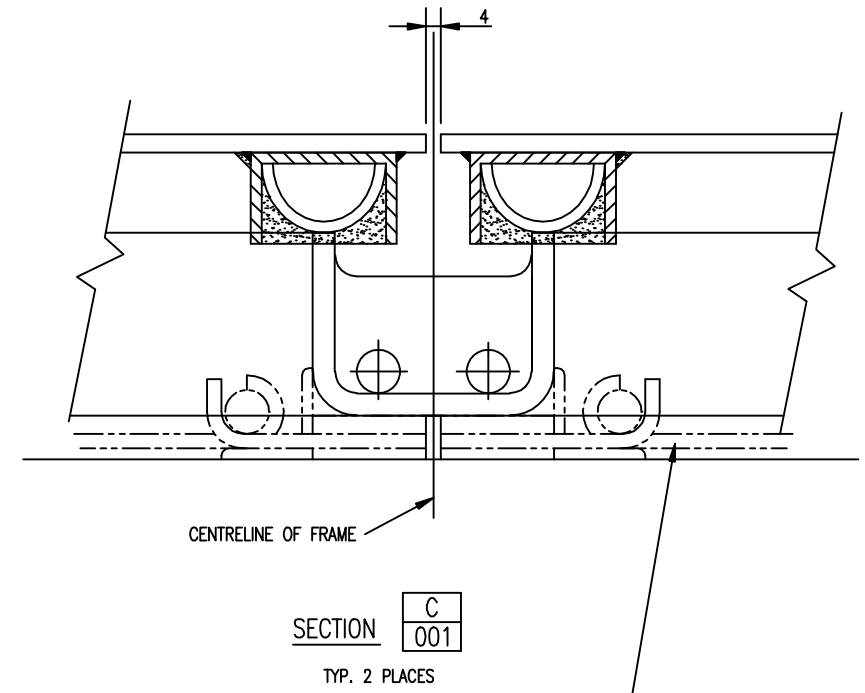


SECTION **A**  
001  
TYP. 4 PLACES

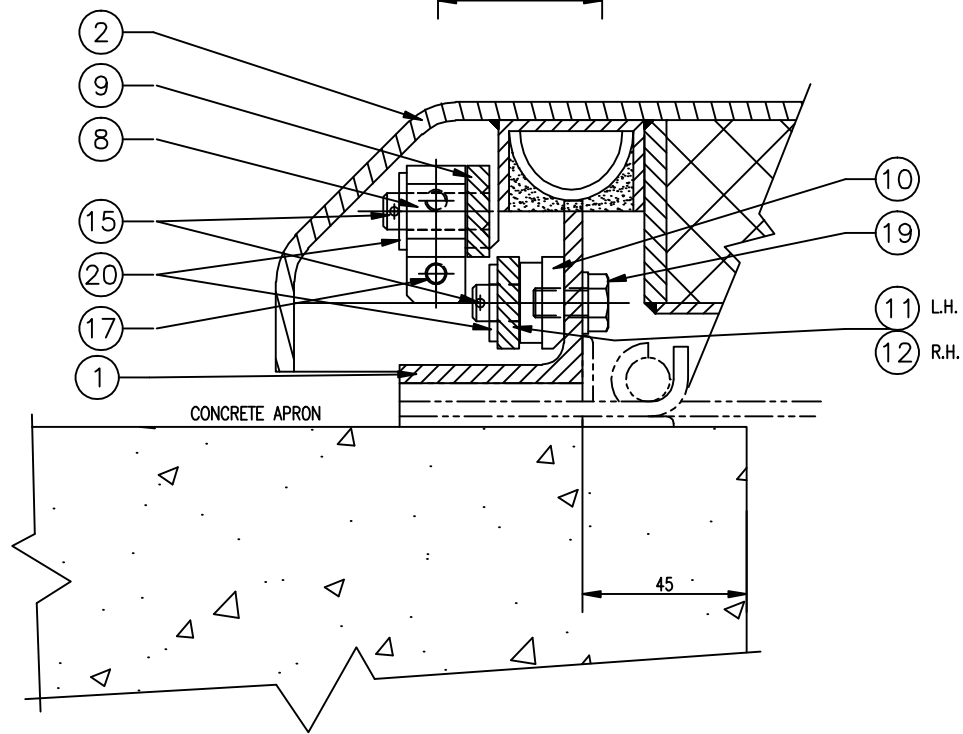


SECTION **B**  
001  
TYP. 2 PLACES

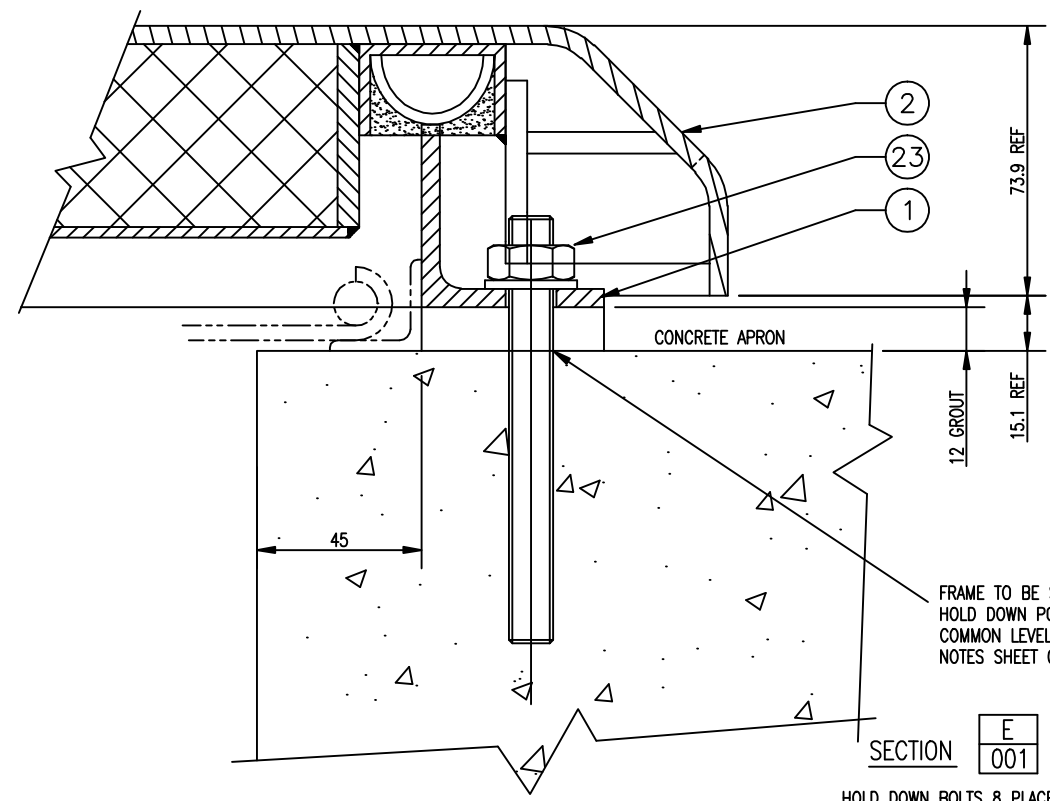


SECTION **C**  
001  
TYP. 2 PLACES

STAINLESS STEEL SAFETY GRILLE  
TO BE FITTED TO BOTH OPENINGS  
REFER DRAWINGS :-  
10804 SHEETS 007 TO 010

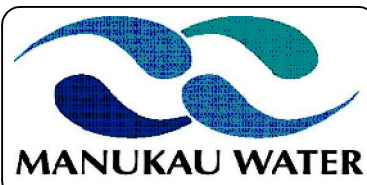


SECTION **D**  
001  
TYP. BOTH SIDES



SECTION **E**  
001  
HOLD DOWN BOLTS 8 PLACES

FRAME TO BE SHIMMED AT ALL  
HOLD DOWN POINTS TO A  
COMMON LEVEL - REFER INSTALLATION  
NOTES SHEET 001



WASTEWATER PUMPING STATION STANDARDS  
**STANDARD SPLIT LID ACCESS HATCH(1500X940) ASSEMBLY SHEET 2**

Design and Material Standards - Manukau Water Limited

DETAIL NO: PS-14b

SCALE: 1:100 @ A3

UPDATED: JULY 2006