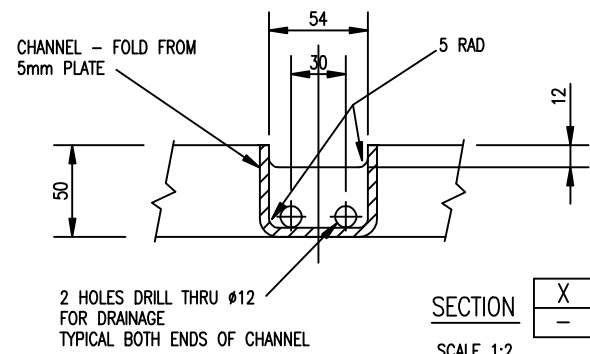
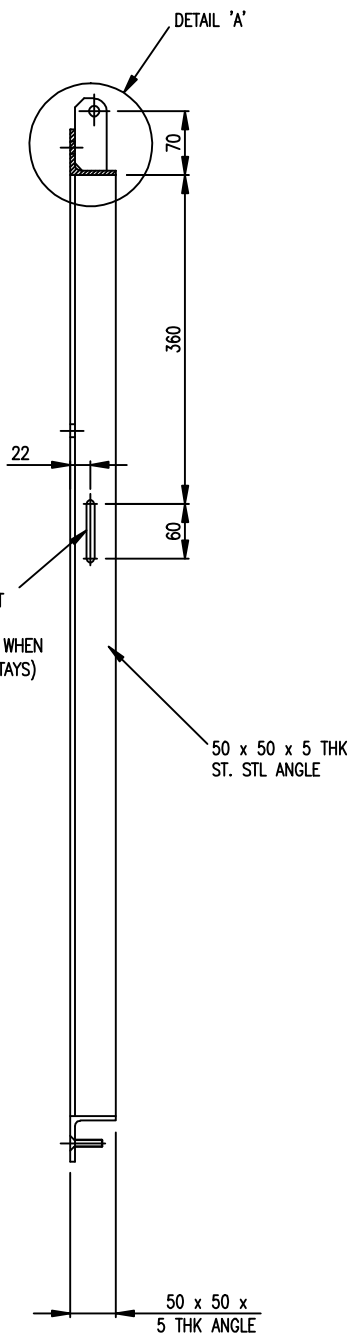
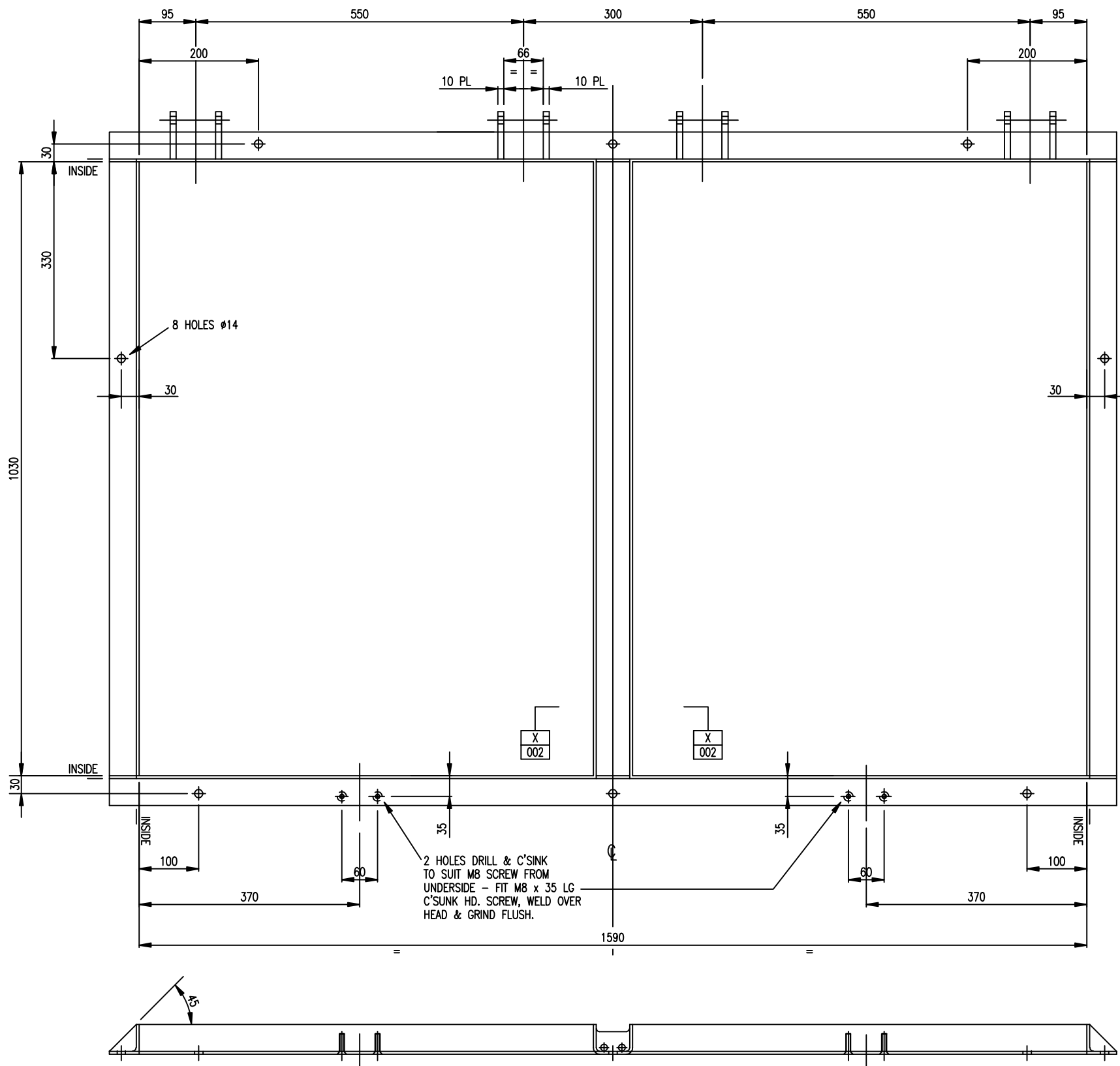


DETAIL 'A' SCALE 1:2

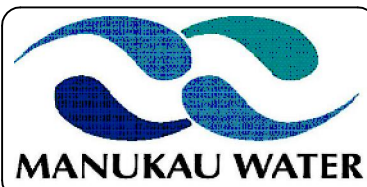


SECTION X-X SCALE 1:2



NOTES: 1/ HATCH FRAME MUST BE SQUARE. CHECK ACROSS CORNERS TO CONFIRM  
2/ ALL WELDS TO BE CONTINUOUS

ITEM 1 HATCH FRAME  
MATL: 316 ST. STL.



WASTEWATER PUMPING STATION STANDARDS  
**STANDARD SPLIT LID ACCESS HATCH(1500X940) COMPONENT 1**

Design and Material Standards - Manukau Water Limited

DETAIL NO:	PS-14c
SCALE:	1:8 @ A3
UPDATED:	JULY 2006