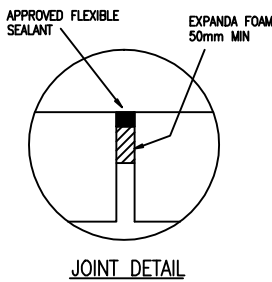
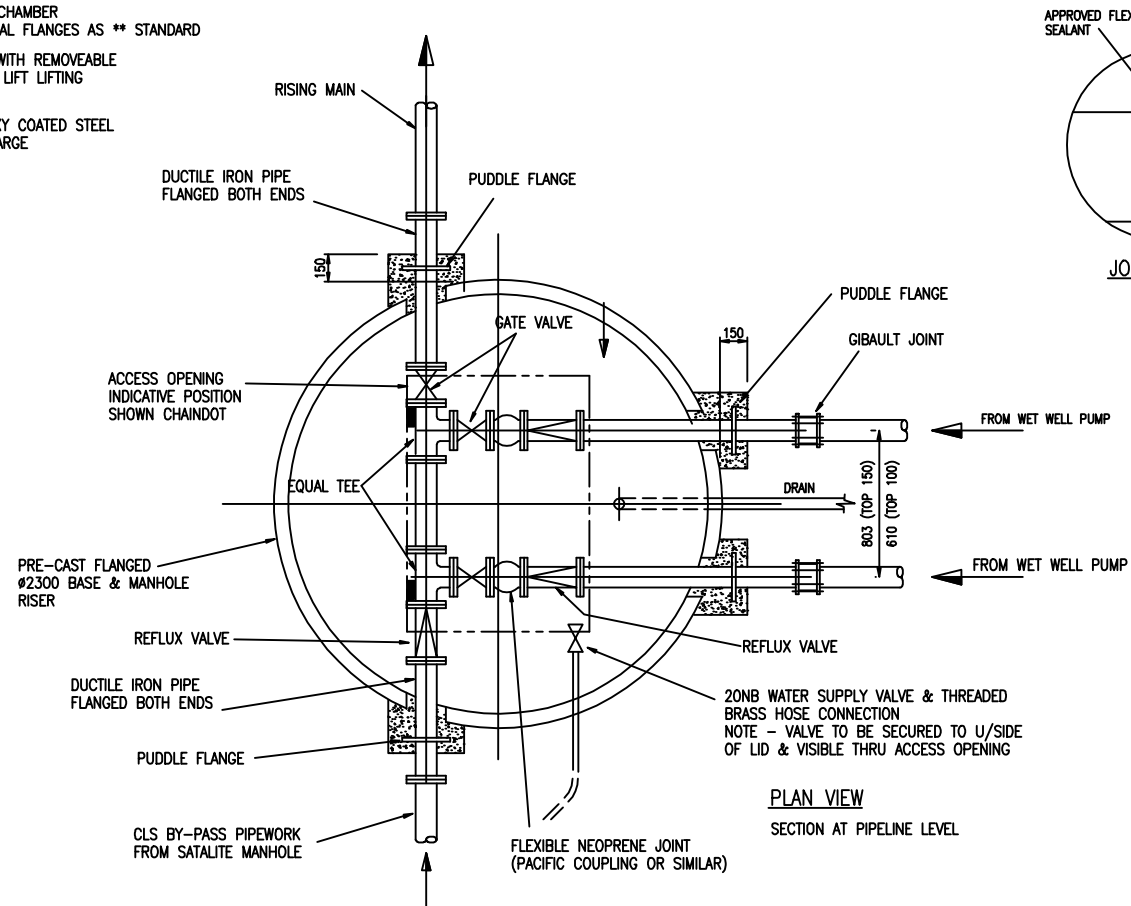
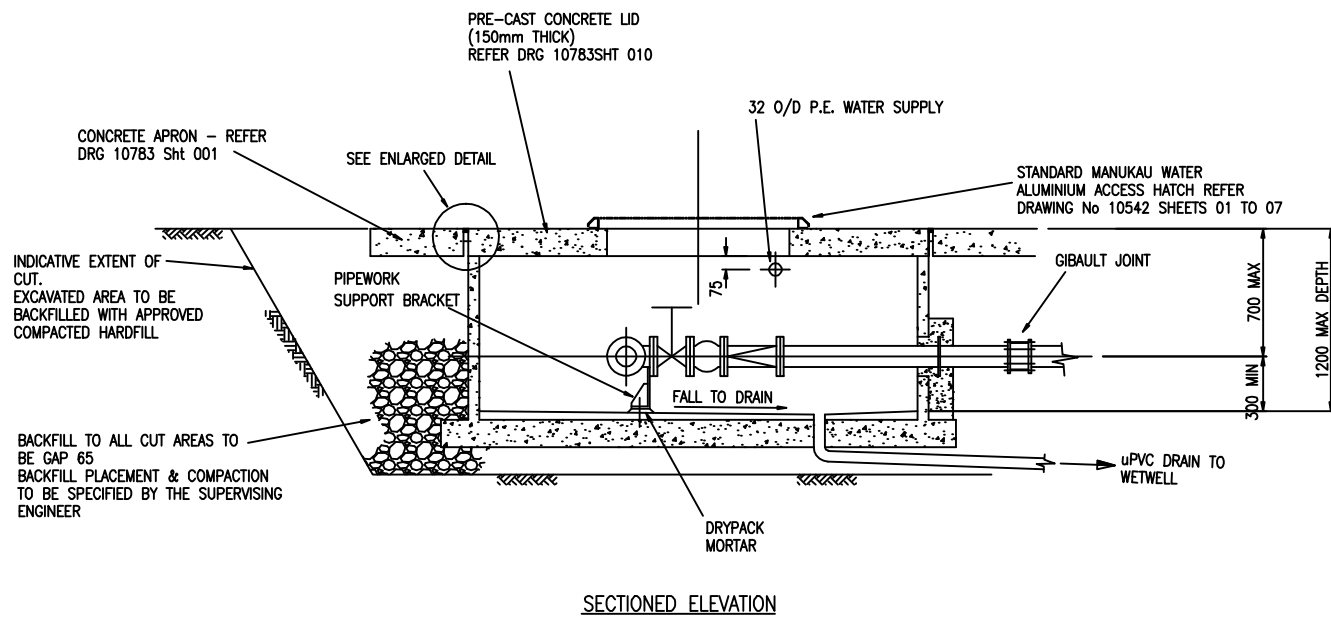


NOTES :-

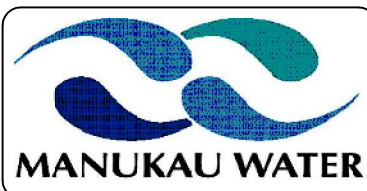
1. ALL PIPEWORK FITTINGS IN VALVE CHAMBER TO BE DUCTILE IRON WITH INTEGRAL FLANGES AS \*\* STANDARD
2. VALVE CHAMBER TO BE COVERED WITH REMOVEABLE CONCRETE LID FITTED WITH SWIFT LIFT LIFTING POINTS
3. ALL OTHER PIPEWORK TO BE EPOXY COATED STEEL PIPE SIZED TO SUIT PUMP DISCHARGE



PLAN VIEW  
SECTION AT PIPELINE LEVEL



SECTIONED ELEVATION



WASTEWATER PUMPING STATION STANDARDS  
**VALVE CHAMBER CONSTRUCTION REQUIREMENTS**

Design and Material Standards - Manukau Water Limited

DETAIL NO:	PS-05
SCALE:	1:40 @ A3
UPDATED:	JULY 2006