

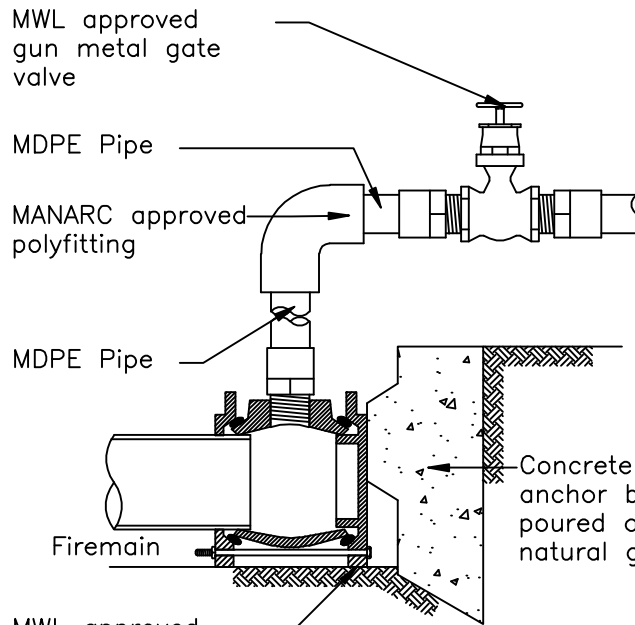
MWL approved gun metal gate valve
 MWL approved D/R brass 90° bend.
 MWL approved glass reinforced polypropylene nipple

Concrete anchor block poured against natural ground

Firemain

MWL approved Cast iron elongated Blank Cap protectively wrapped AT END OF MAIN

Using Brass 90° Bend



MWL approved gun metal gate valve

MDPE Pipe

MANARC approved polyfitting

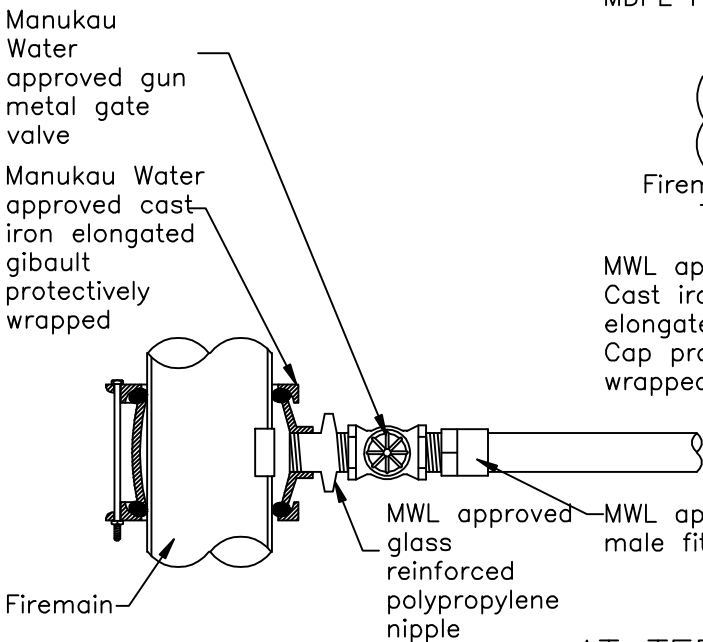
MDPE Pipe

Concrete anchor block poured against natural ground

Firemain

MWL approved Cast iron elongated Blank Cap protectively wrapped

AT END OF MAIN
 Using MDPE elbow



Manukau Water approved gun metal gate valve
 Manukau Water approved cast iron elongated gibault protectively wrapped

MWL approved glass reinforced polypropylene nipple
 MWL approved MDPE male fitting

Firemain

AT TEE JUNCTION



GIBALT RIDER MAIN CONNECTION

DETAIL NO:
DW-2

**Design and Material Standards
 MANUKAU WATER LIMITED**

UPDATED:
JULY 2006