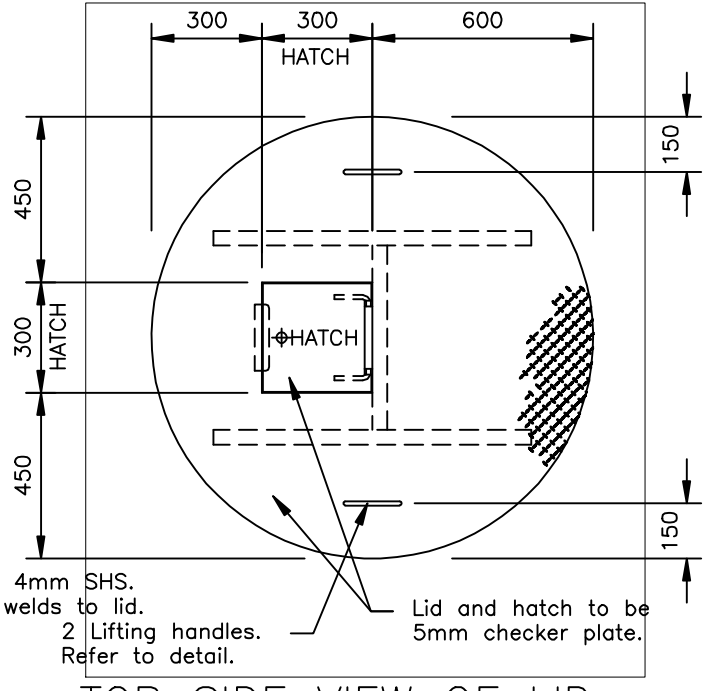


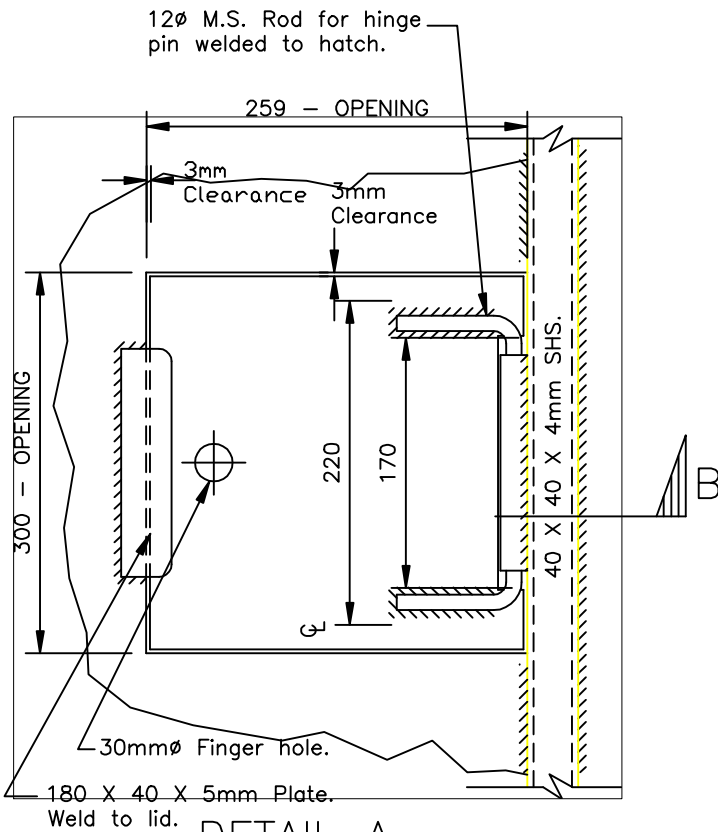
**UNDER SIDE VIEW OF LID**

SCALE 1:5



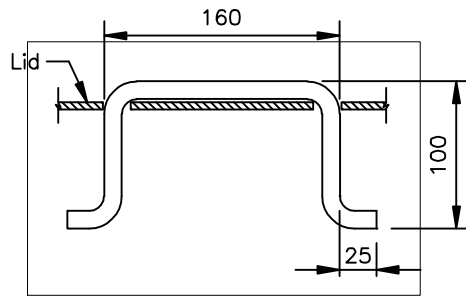
**TOP SIDE VIEW OF LID**

SCALE 1:5



**DETAIL A OPENING HATCH DETAIL**

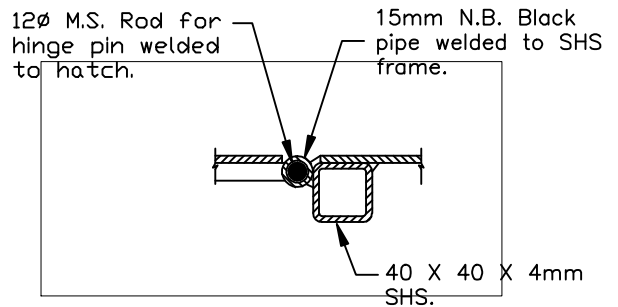
SCALE 1:5 ( Viewed form under side )



**LIFTING HANDLE DETAIL**

SCALE 1:5

Handle constructed from 12 $\phi$  hot dip galv. rod.



**SECTION B**

SCALE 1:5

NOTE: Not to be used in pedestrian / vehicle carriageways



**HOT DIPPED GALVANISED  
LID FOR 1050 $\phi$  RISER CHAMBER**

**Design and Material Standards  
MANUKAU WATER LIMITED**

DETAIL NO:

**MW-4**

UPDATED:

**JULY 2006**