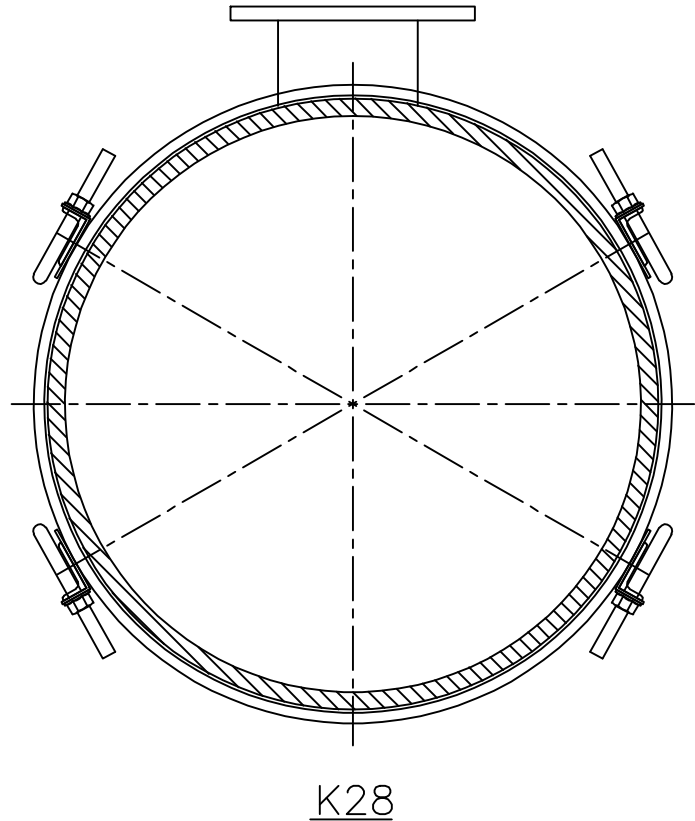
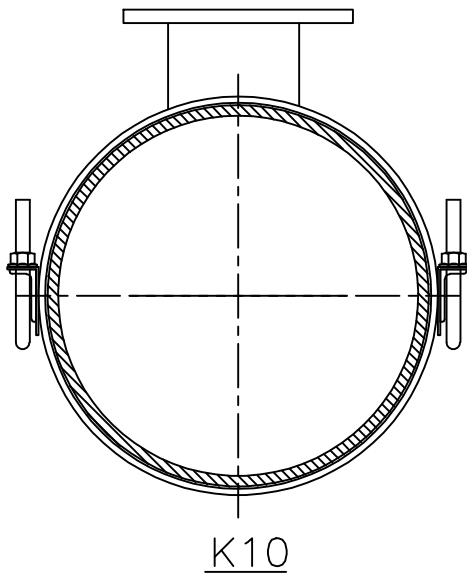


K5



K28

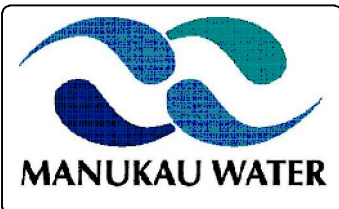


K10

CODE	No. OF BOLTS	SIZES
K5	5	up to 178mm OD
K10	10	up to 450mm OD
K28	28	up to 740mm OD

Note:

1. All clamps are to be 100% 316 Stainless Steel except for the Nitrile grided sealing gasket.
2. Parts to be manufactured to the following standards:
 - The Clamp: AS 4181:1994 - Stainless steel clamps for water works purposes.
 - 316 Stainless Steel Components: AS1449:1980 - 316 Grade Stainless Steel.
 - Fasteners: AS 1252:1983 - High Strength Steel Fasteners.
 - Rubber Components: AS1646:1992 - Rubber rings for water supply.



**STAINLESS STEEL REPAIR AND
UNDER PRESSURE TAPPING CLAMPS**

**Design and Material Standards
MANUKAU WATER LIMITED**

DETAIL NO:
MWR-1

UPDATED:
JULY 2006